



# HAIRDRESSING EQUIPMENT

THE BEST EQUIPMENT FOR YOUR  
BEAUTY SALON

# FUTURAMIC ACCELERATOR AND TREATMENT

REF. YAHTB-6082E-L



# MULTI-TREATMENT CAPILLARY STEAM SFH

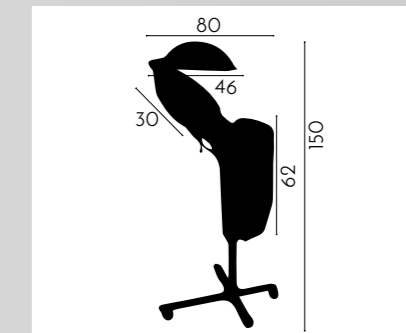
REF. YAHTB-007R2



The hair dryer Futuramic does not only dry the air, it takes care of it.  
With its modern technology, leaves a shiny and soft hair.  
Thanks to its digital display, you may choose between different treatments such as humidifying with steam drying or dyeing.  
The heat produced is sent to the scalp in order to improve blood circulation.



This is a professional digital sprayer. The main function is to open the pores, promote blood circulation and maintain your beauty. The spray steam helps to moisturize the skin, and at the same time it can soften the hair and restore its elasticity.



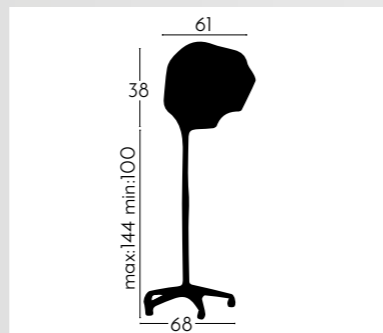


# CLIMAZON DRYING ACCELERATOR

REF. YAHKT-2000-L



Climate and drying accelerator. Compact design for comfortable drying. Intelligent digital control which enables different drying models. Constant temperature with its quartz tubes that give a non-radioactive and non-polluting drying and perfect hair care. The dryer maintains a 17% of humidity, which maintains a healthy, moisturized and shiny hair.

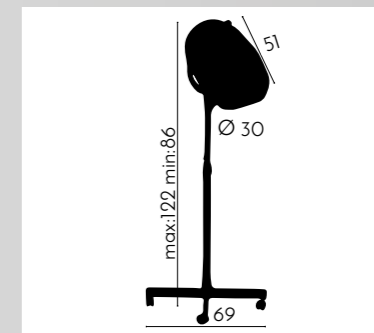


# HAIR DRYER HOOD 2 SPEEDS

REF. IDMHD609



Attractive line dryer, made of ABS with double internal Nylon insulation. The hood, made of smoked plastic, protects the customer and prevents the heat out. It has two speeds, direct ventilation, with thermal energy regulator to adapt the temperature as needed in each case.

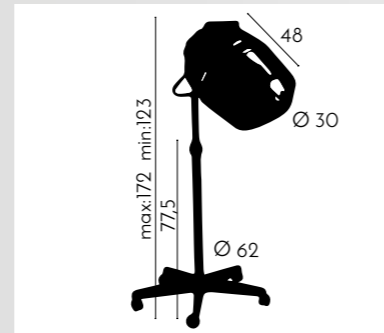


# HAIR DRYER LCD

REF: IDMCASCLCD



Hair dryer Hood with LCD screen, digital control, 2 speeds, time and temperature control Hair dryer manufactured with double internal insulation. The hood, made of smoked plastic, protects the customer and keeps the heat from coming out.

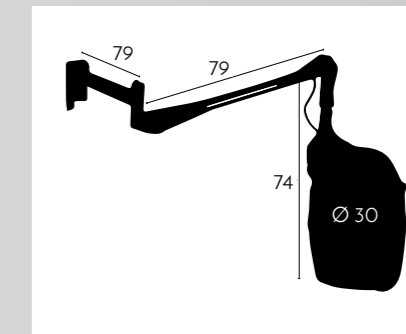


# HAIR DRYER HOOD VENICE EXCELLENS 3200 A

REF: IDMRSVEA



Hair dryer hood with regulators, 2 speeds, temperature and time control. Attractive line dryer, manufactured with double internal insulation. The smoked plastic hood protects the customer and prevents heat from escaping.



# MULTI-TREATMENT RING WITH STAND

REF: IDMHD-2238E-L

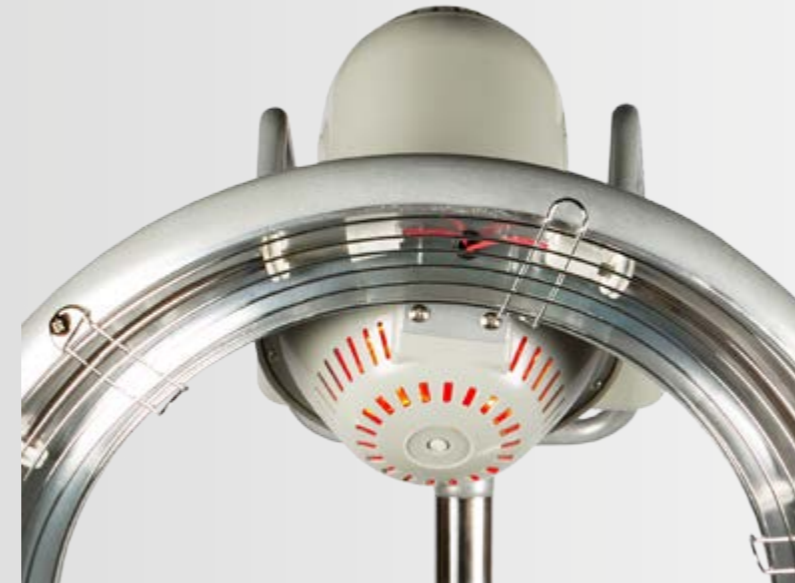
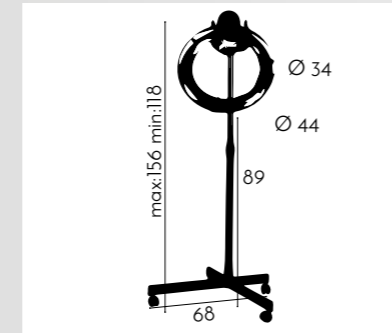


# MULTI-TREATMENT RING WITH ARM

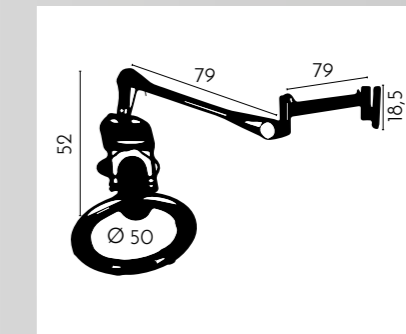
REF: IDMHD-2238E-D



Infrared lamp, to bring forward the exposure time of technical work. Modern design and latest technology. Rotating circular sphere for greater heat wave accuracy. Made of aluminum and plastic. Timer: 0 to 60 minutes. And potentiometer of heat intensity. On/off button, lamp protection and compact circular resistance



Infrared lamp, to bring forward the exposure time of technical work. Modern design and latest technology. Rotating circular sphere for greater heat wave accuracy. Made of aluminum and plastic. Timer: 0 to 60 minutes. And potentiometer of heat intensity. On/off button, lamp protection and compact circular resistance





# OZONE VAPORIZER RIMINI

REF: IDMVARIM

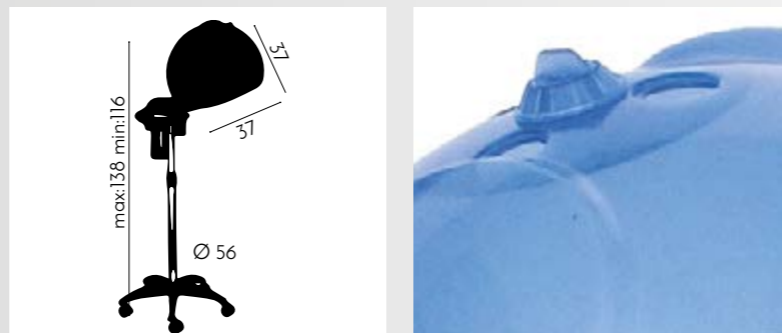


# OZONE VAPORIZER RIMINI EXCELLENS 3200 F

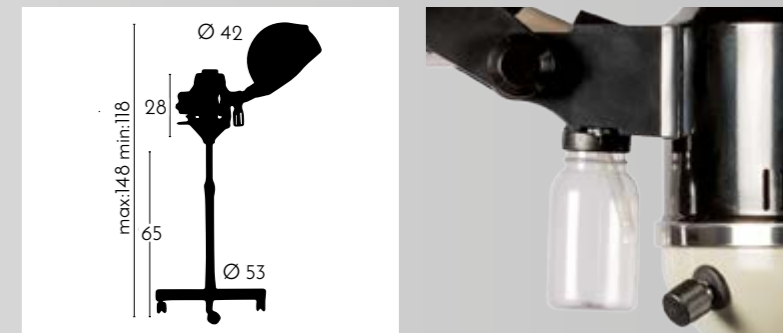
REF: IDMRVREF



Hair steam baths open hair follicles, facilitate their cleaning and scalp cleaning too. It improves blood circulation and promotes hair growth giving it a shiny and silky appearance. The Rimini vaporizer is a great option for getting this treatment to your beauty salon.



Takes care of the hair. It can often be used to remove dandruff, spray and neuter and treat hair, as well as to nourish the hair.



# INFRARED HAIR DRYER EXCELLENS 5000

REF: IDMRIE5F



Suitable for providing hyperthermia to women's beauty. Firm and durable design. The support of infrared light is iron, stable and durable. The lamp protects the bulb and the safety of the user, using the stainless steel mesh to prevent burns.

